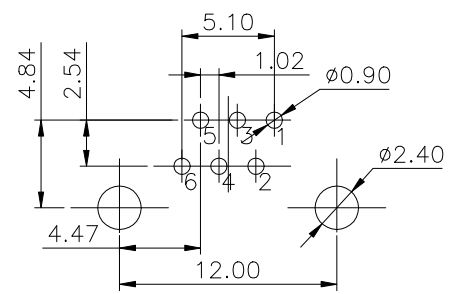
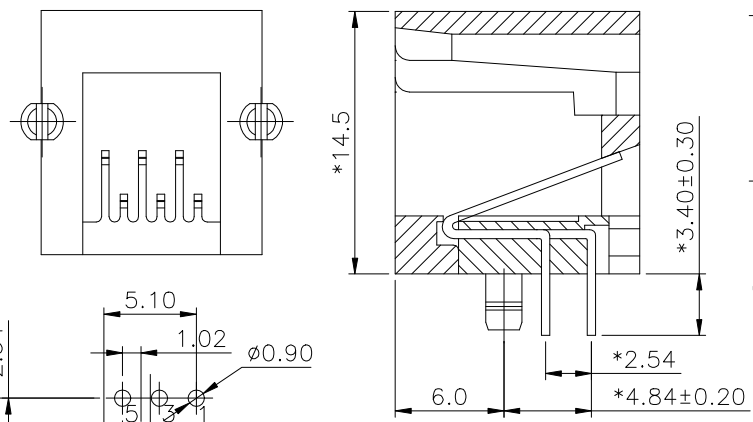
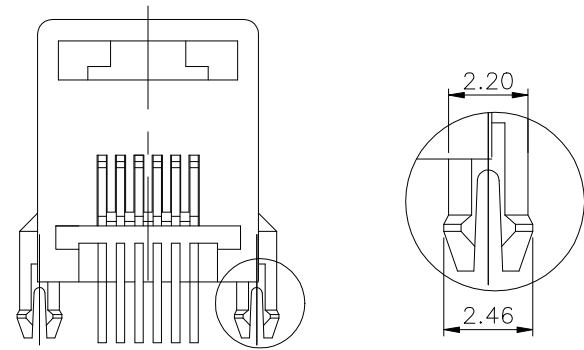
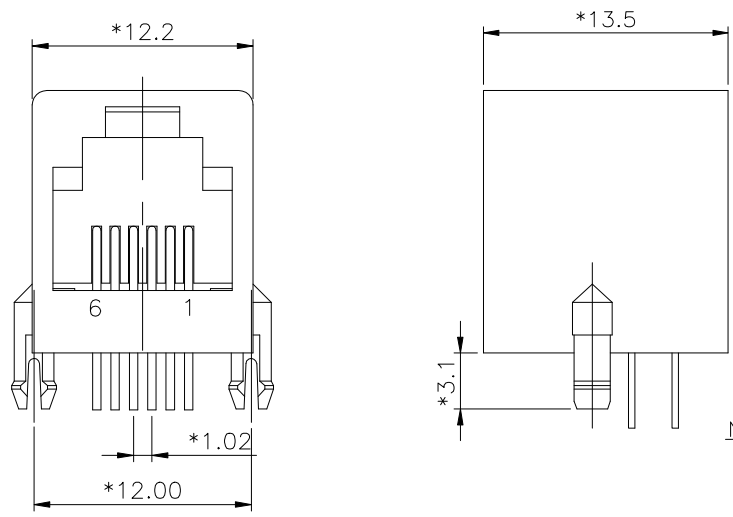


REVISION RECORD				
REV	ECO	DESCRIPTION	DRFT	CHKD



NOTES:

ELECTRICAL:

1. VOLTAGE RATING : 125 VAC RMS.
2. CURRENT RATING : 1.5 AMP.
3. CONTACT RESISTANCE : 45 MILLIOHMS MAX.
4. INSULATION RESISTANCE: 1000 MEGOHMS MIN @ 500 VDC.
5. DIELECTRIC STRENGTH : 1000 VAC RMS 60Hz, 1MIN.

MECHANICAL:

1. HOUSING MATERIAL : FR50.
2. CONTACT MATERIAL : PHOSPHOR BRONZE ϕ 0.46mm.
3. PLATING : GOLD PLATING OVER NICKEL.
4. OPERATING LIFE : 750 CYCLES MIN.
5. PCB RETENTION PRE-SOLDER : 1 LB MIN.
6. PCB RETENTION POST-SOLDER: 10 LBS MIN.

ENVIRONMENTAL:

1. STORAGE : -40°C TO +85°C.
2. OPERATION: 0°C TO 70°C.

MATES WITH MODULAR PLUG CONFORMING TO FCC PART 68, SUBPART F.

CUL FILE NO. E163191

PART NUMBER: E556X-Q0LX2X

- 2-2C | 1-3u" 2-6u" 3-15u"
- 4-4C | 4-30u" 5-50u"
- 6-6C | 4-A05-0040 (BK)
- K-A05-0220 (GY)

DETACHED LISTS	MM (INCH)	DFTO Qianpu	DATE 4/21/04	FULL RISE ELECTRONIC CO., LTD	
	TOLERANCES EXCEPT AS NOTED	CHKD HERO	DATE 2004/6/1		
	MM	MFO	DATE	TITLE MINI L/P ENTRY PCB JACK	
	.0 ±0.20 ±	APPVL SAMMY	DATE 2004/6/1		
.00 ±0.15 ±	MATERIAL :	DRAWING NO. GE553027		SIZE A3	REV 0
.000 ±0.075 ±	ANGLES ±	QT'Y :	/PART NO. SEE NOTE		OF Y
THIRD ANGLE PROJECTION	FINISH :	SCALE : 4:1	DO NOT SCALE DRAWING		SHEET X

PC Board Layout Component Side Shown